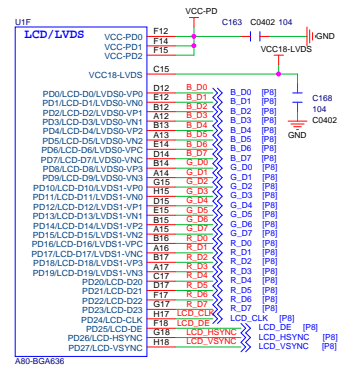
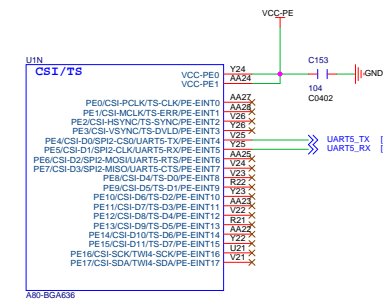
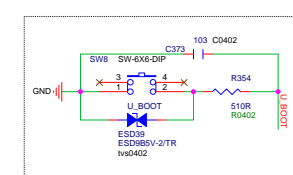
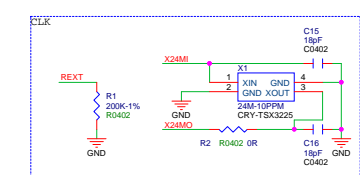
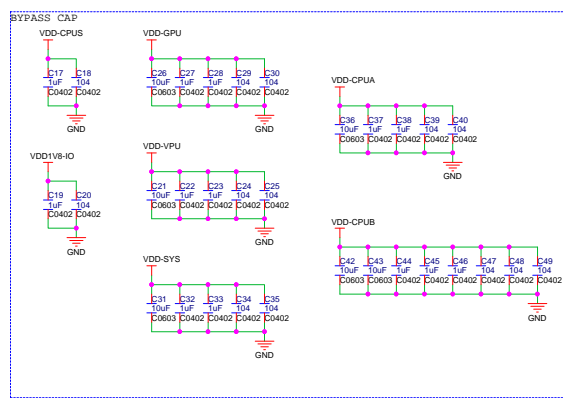
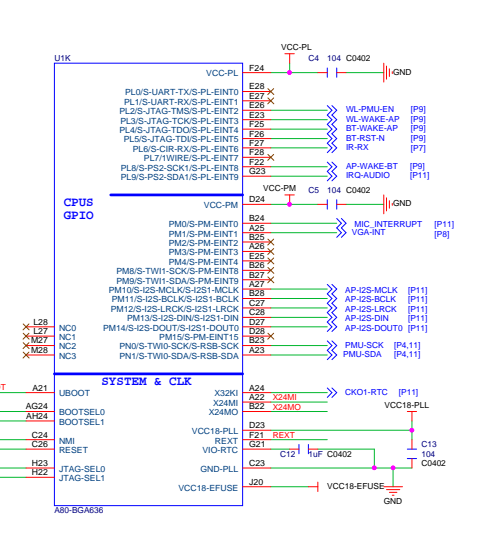
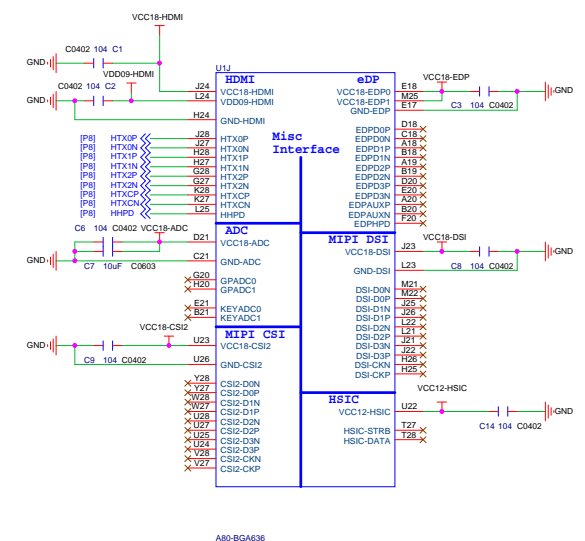
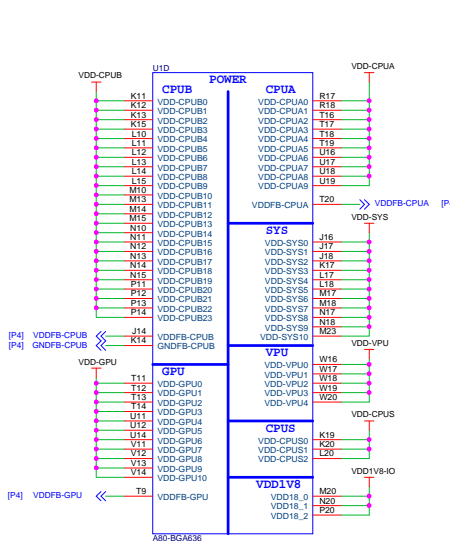
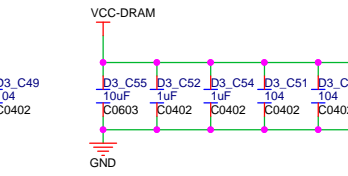
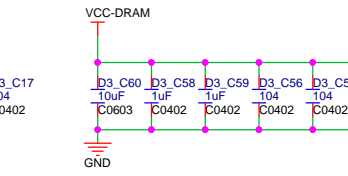
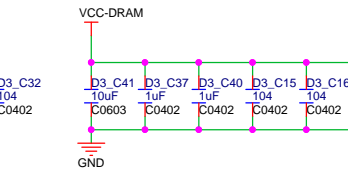
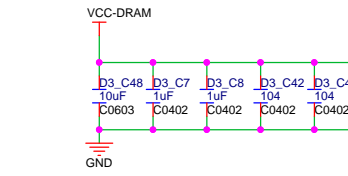
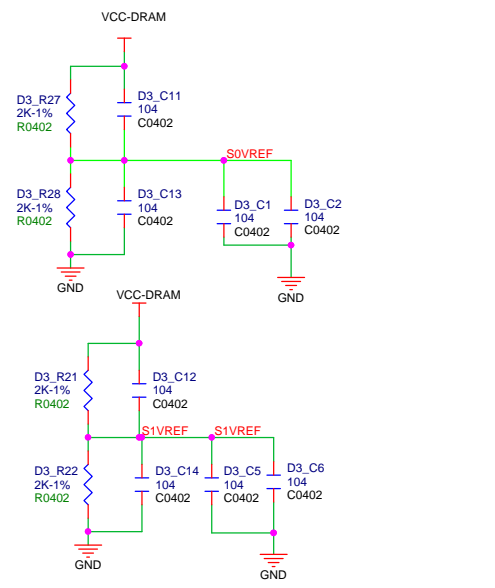
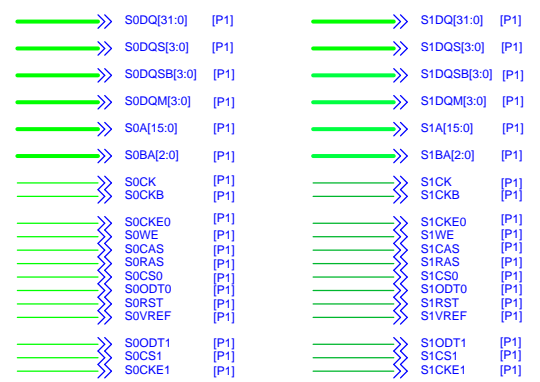
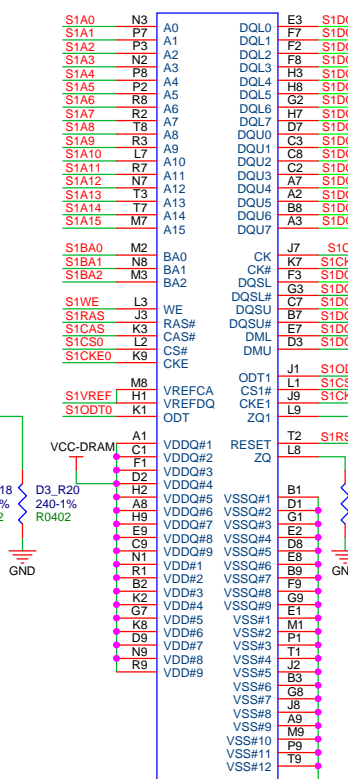
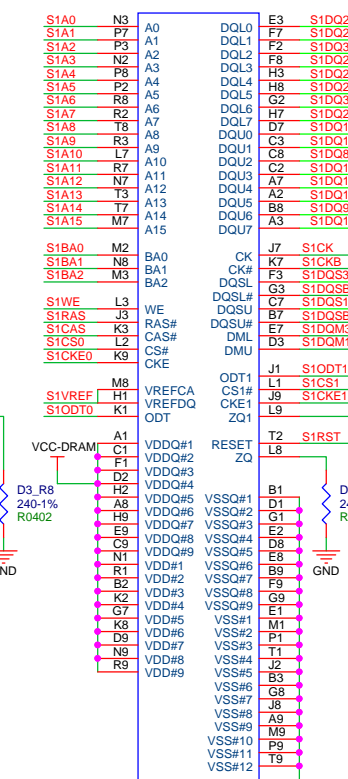
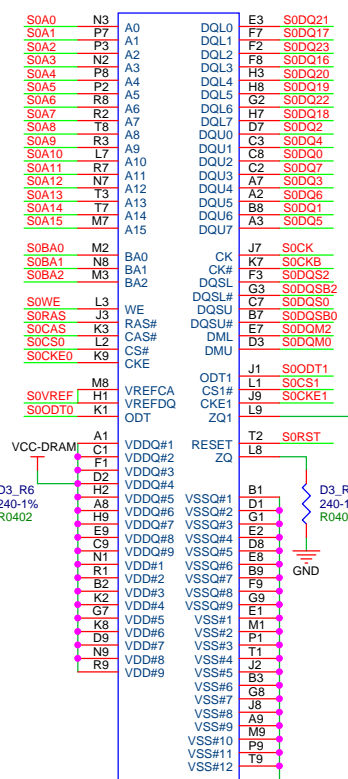
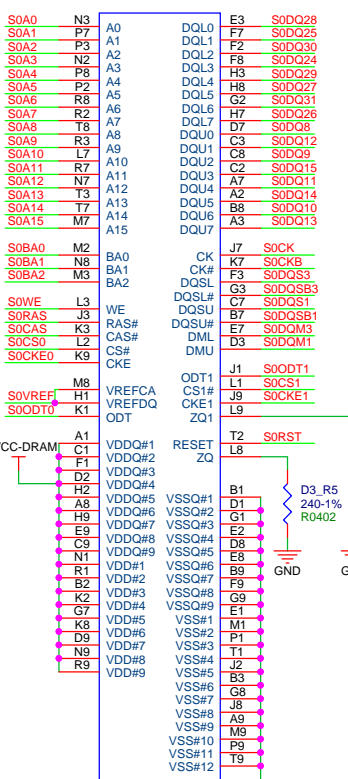


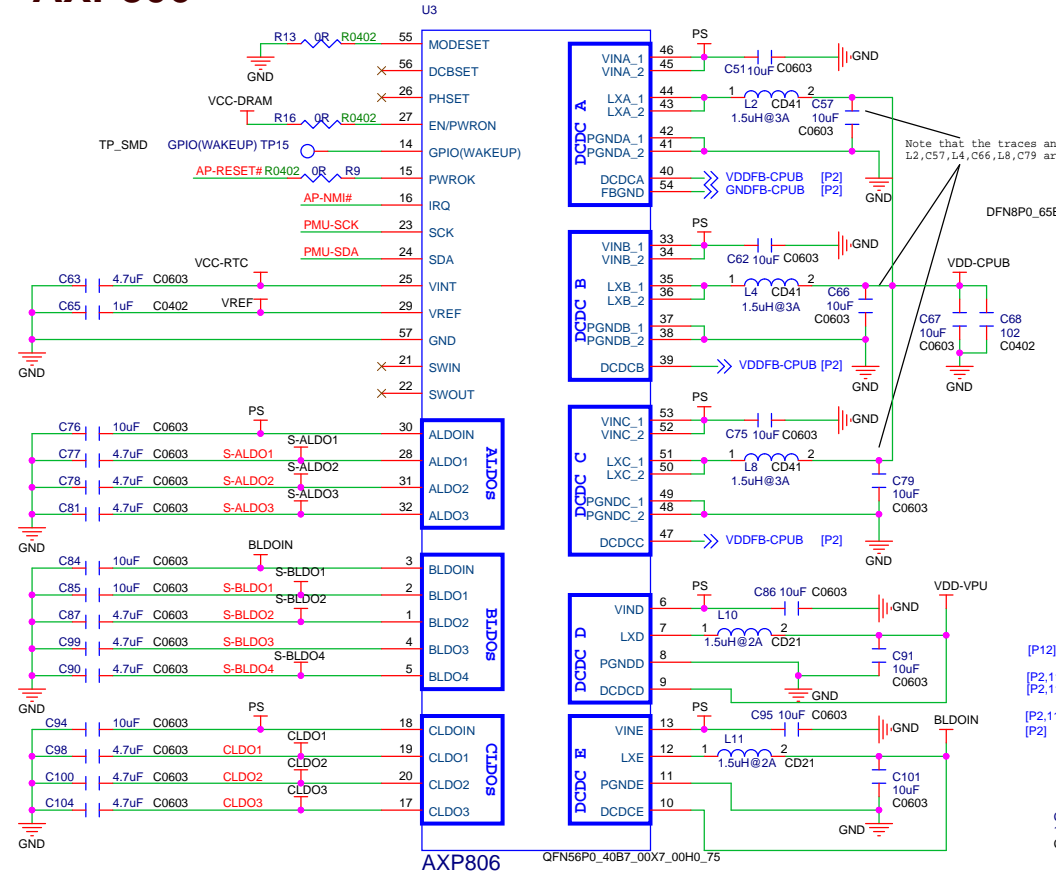
# CPU2



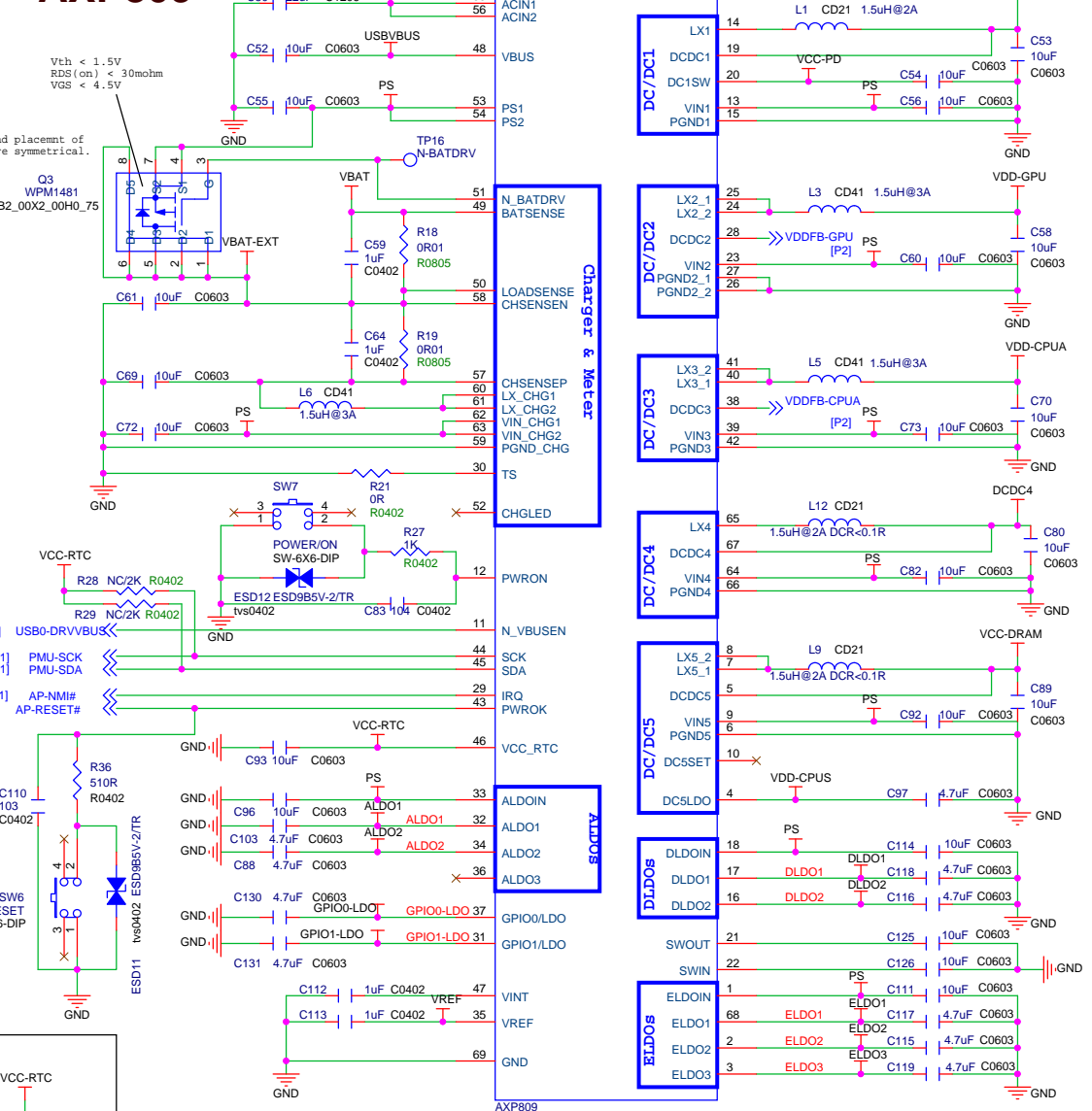
Title	CC_A80_MINIPC_SCH_Design		
Size	Document Number	http://cubieboard.org	Rev V1.1
Date:	Sheet 2	of 14	



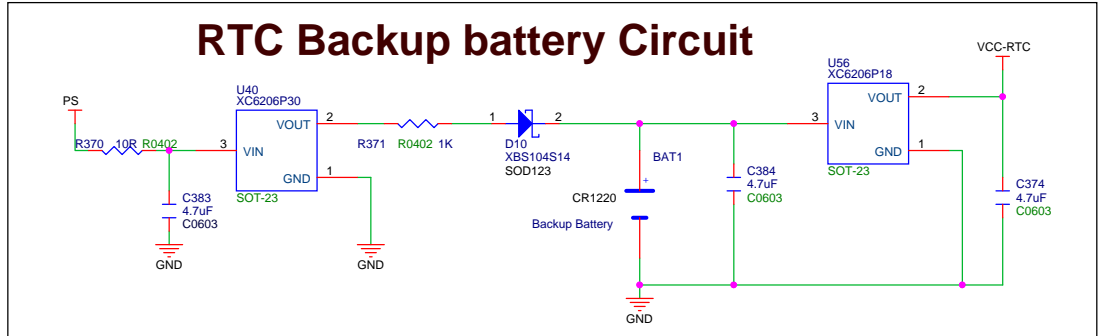
# AXP806



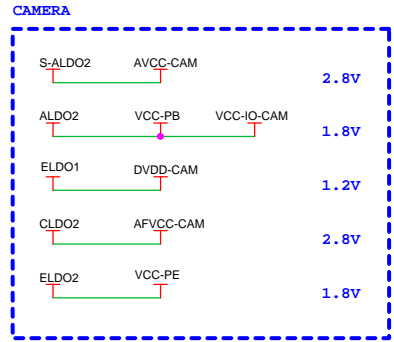
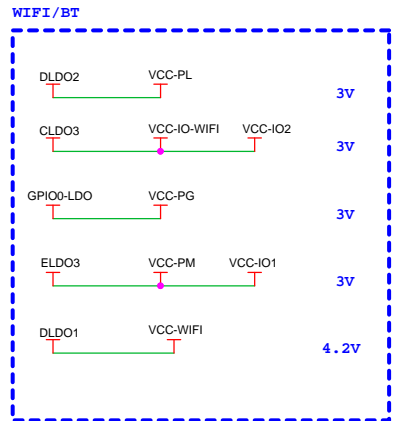
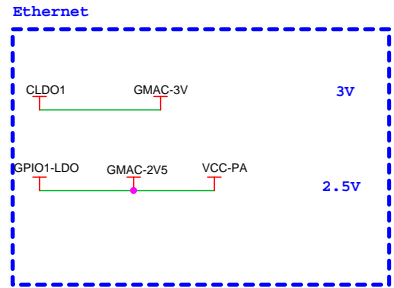
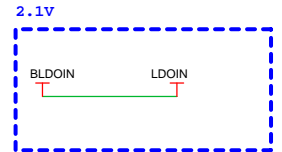
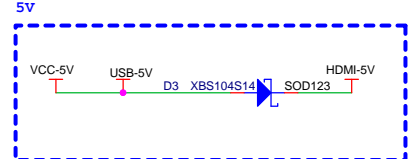
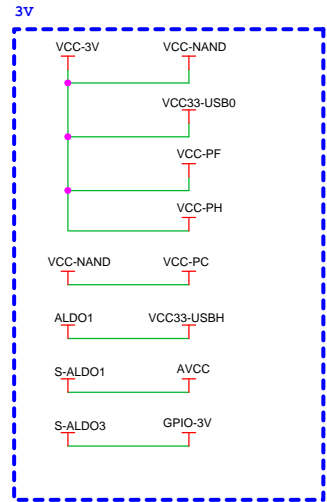
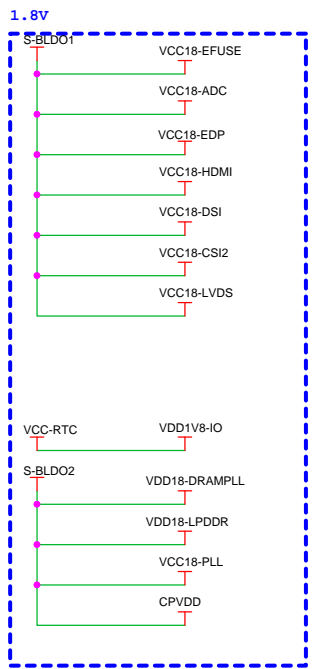
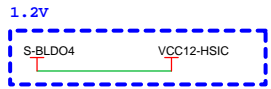
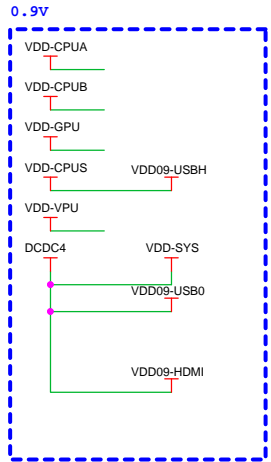
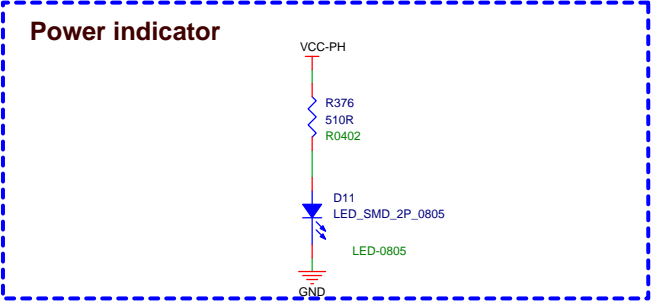
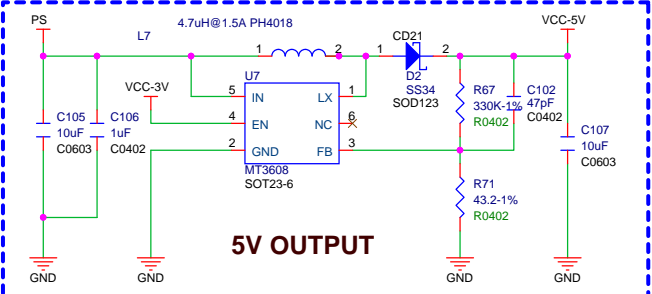
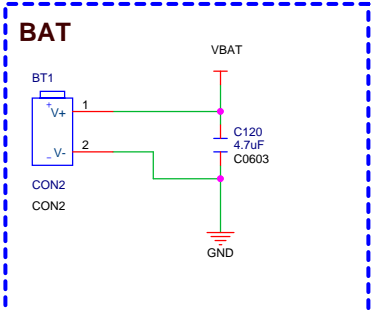
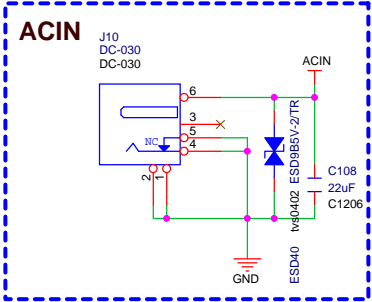
# AXP809



## RTC Backup battery Circuit

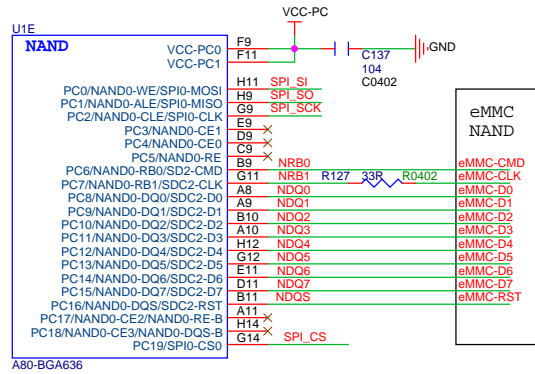


Title <b>CC_A80_MINIPC_SCH_Design</b>		
Size A3	Document Number <a href="http://cubieboard.org">http://cubieboard.org</a>	Rev V1.1
Date:	Sheet 4 of 14	

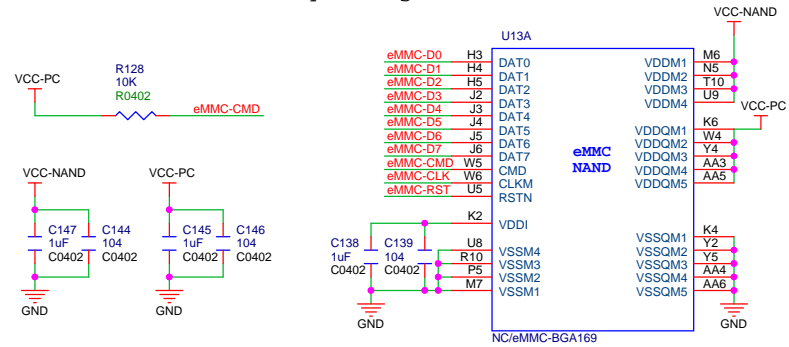


Title		
CC_A80_MINIPC_SCH_Design		
Size	Document Number	Rev
A3	<a href="http://cubieboard.org">http://cubieboard.org</a>	V1.1
Date:	Sheet	5 of 14

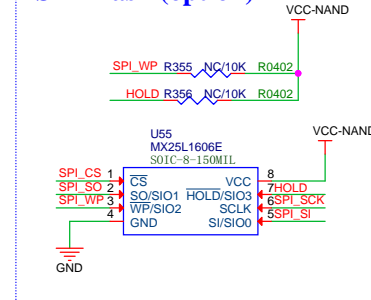
# SPI FLASH/eMMC



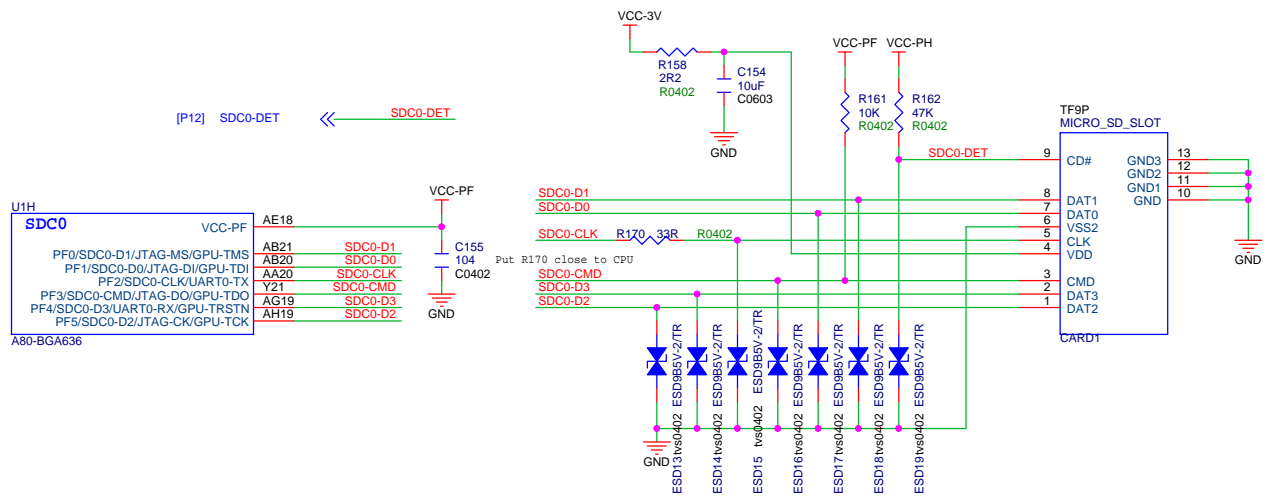
Both eMMC NAND and first TSOP NAND layout together



## SPI Flash (option)



# SD Card



U1H  
SDC0

PF0/SDC0-D1/JTAG-MS/GPU-TMS	AB21	SDC0-D1
PF1/SDC0-D0/JTAG-DI/GPU-TDI	AB20	SDC0-D0
PF2/SDC0-CLK/UART0-TX	AA20	SDC0-CLK
PF3/SDC0-CMD/JTAG-DQ/GPU-TDO	Y21	SDC0-CMD
PF4/SDC0-D3/UART0-RX/GPU-TRSTN	AG19	SDC0-D3
PF5/SDC0-D2/JTAG-CK/GPU-TCK	AH19	SDC0-D2

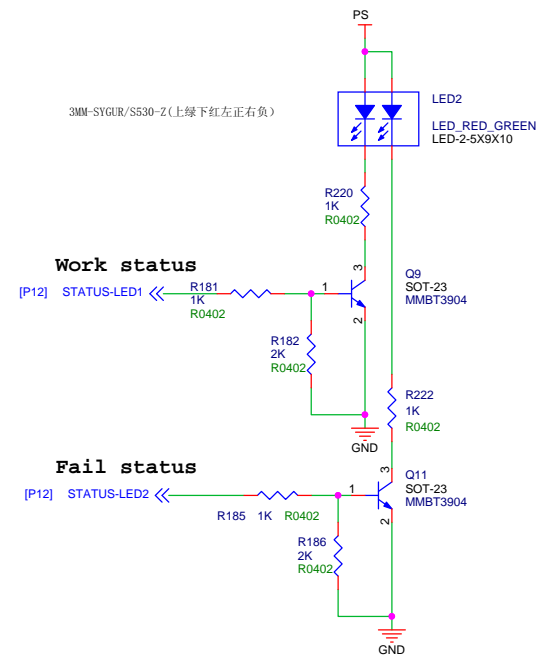
A80-BGA636

U1G  
MISC

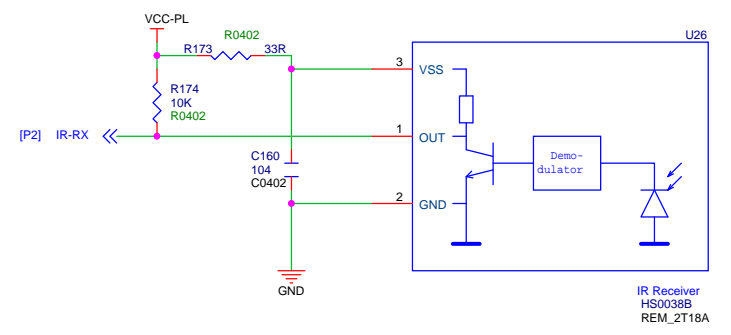
PB5/UART3_TX/PB-EINT5	AC18	X
PB6/UART3_RX/PB-EINT6	AD18	X
PB14/MCSI-MCLK/PB-EINT14	AG18	X
PB15/MCSI-SCK/TWI4-SCK/PB-EINT15	AH18	X
PB16/MCSI-SDA/TWI4-SDA/PB-EINT16	AB18	X
	AA18	X

A80-BGA636

# LED-Indicator

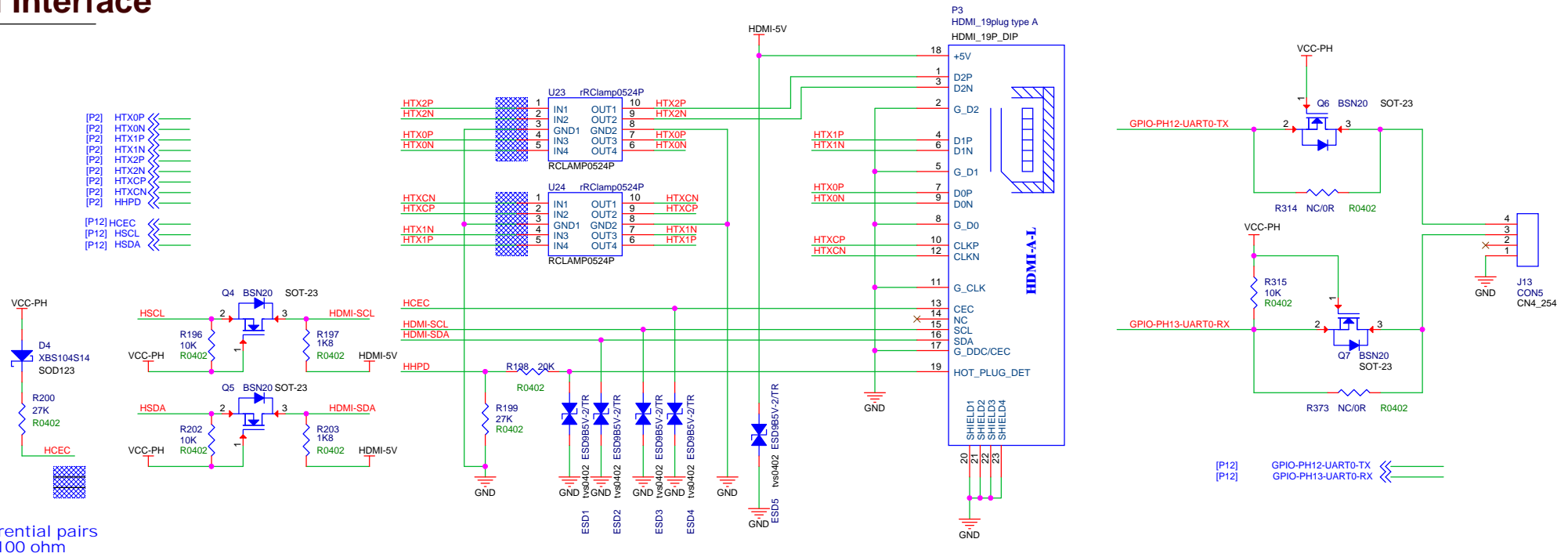


# IR

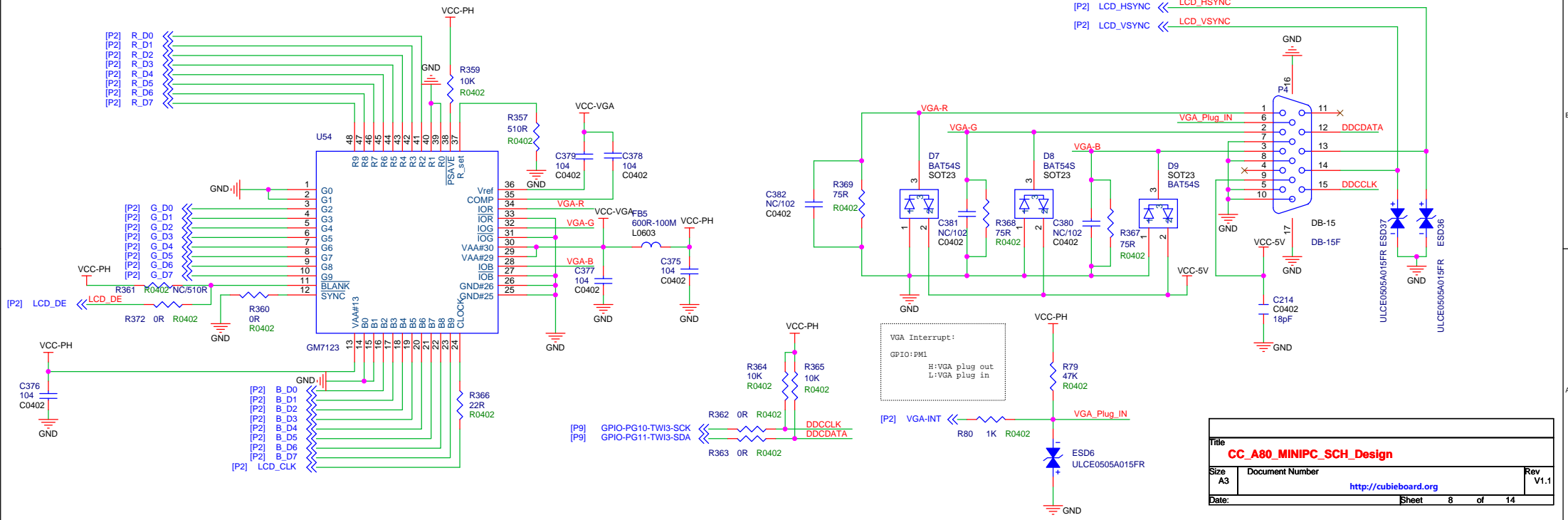


Title <b>CC_A80_MINIPC_SCH_Design</b>		
Size A3	Document Number <a href="http://cubieboard.org">http://cubieboard.org</a>	Rev V1.1
Date:	Sheet 7 of 14	

# HDMI Interface



# RGB to VGA Conversion



Title		
CC_A80_MINIPC_SCH_Design		
Size	Document Number	Rev
A3		V1.1
Date:	<a href="http://cubieboard.org">http://cubieboard.org</a>	
	Sheet	8 of 14

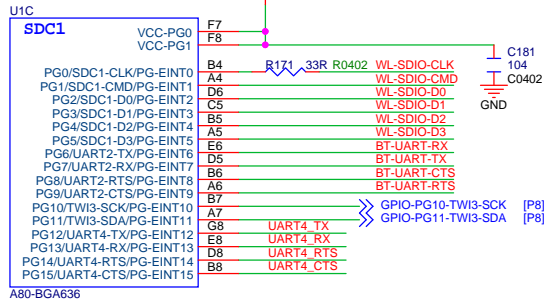


# WIFI/BT

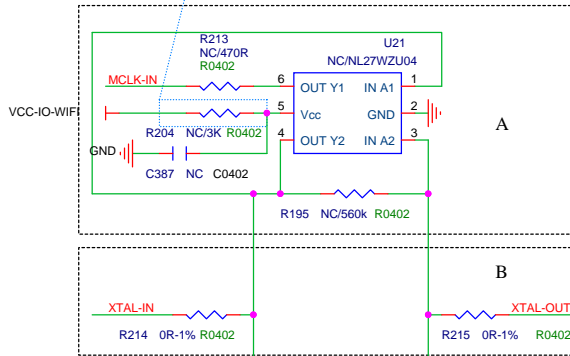
[P11] BT-PCM-CLK <--> BT-PCM-CLK  
 [P11] BT-PCM-SYNC <--> BT-PCM-SYNC  
 [P11] BT-PCM-DIN <--> BT-PCM-DIN  
 [P11] BT-PCM-DOUT <--> BT-PCM-DOUT  
 [P11] CODEC-32K <--> AP-CK32KO

[P2] WL-PMU-EN <--> WL-REG-ON  
 [P2] WL-WAKE-AP <--> WL-WAKE-AP

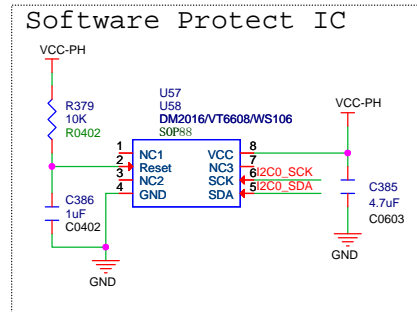
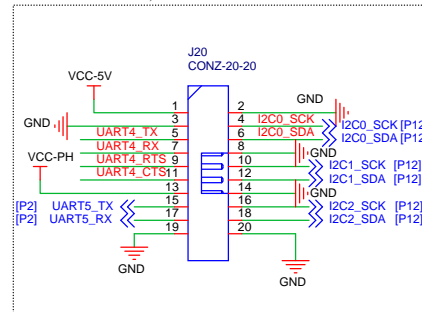
[P2] BT-WAKE-AP <--> BT-WAKE-AP  
 [P2] BT-RST-N <--> BT-RST-N  
 [P2] AP-WAKE-BT <--> AP-WAKE-BT



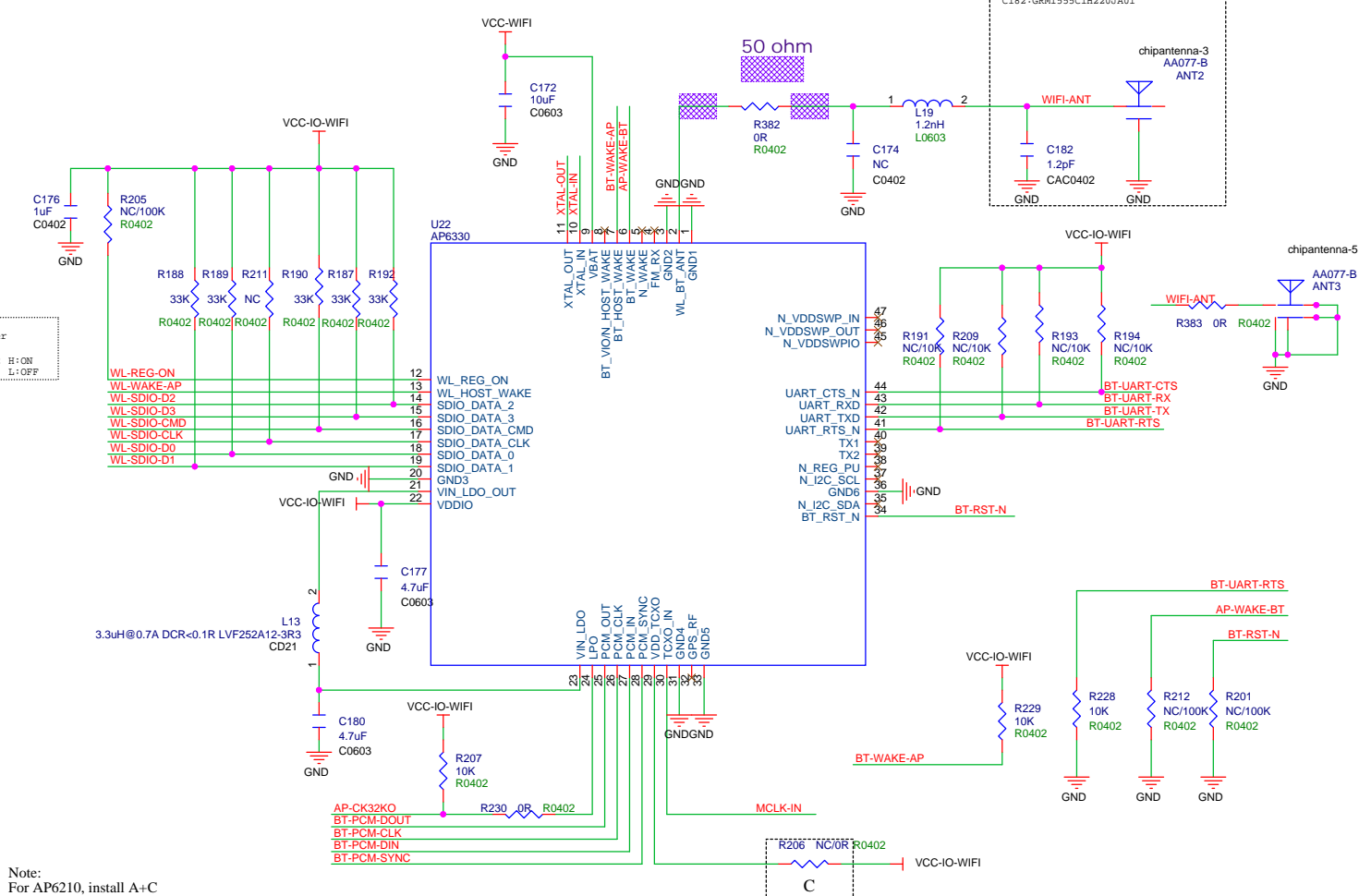
Note:  
 For VCC-IO-WIFI = 1.8V, R204 = 0R  
 For VCC-IO-WIFI = 3.0V, R204 = 3K



Note:  
 For AP6210, install A+C  
 For AP6330/AP6181, install B

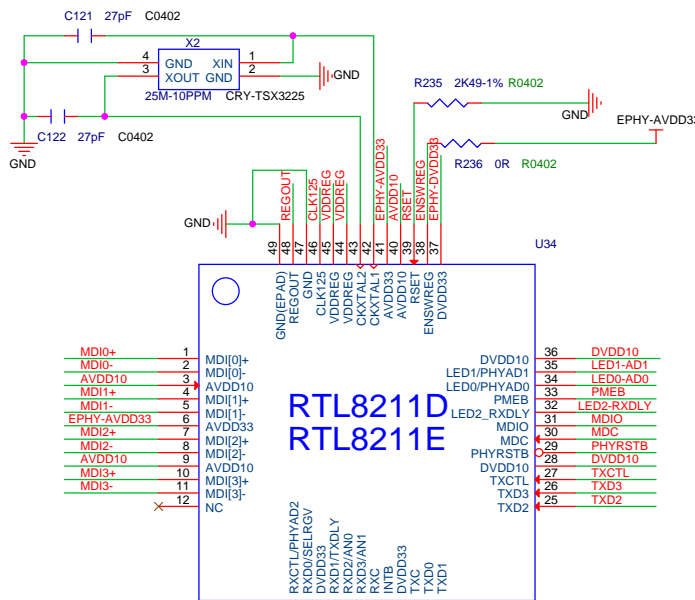
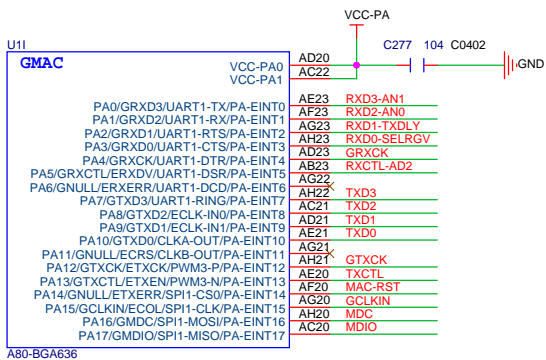


There should be ground clearance around antenna.  
 C184 and C183 are tuning elements.  
 C184:GRM1555C1H1R8CA01  
 C183:GRM1555C1H1R5CA01  
 C182:GRM1555C1H2207A01

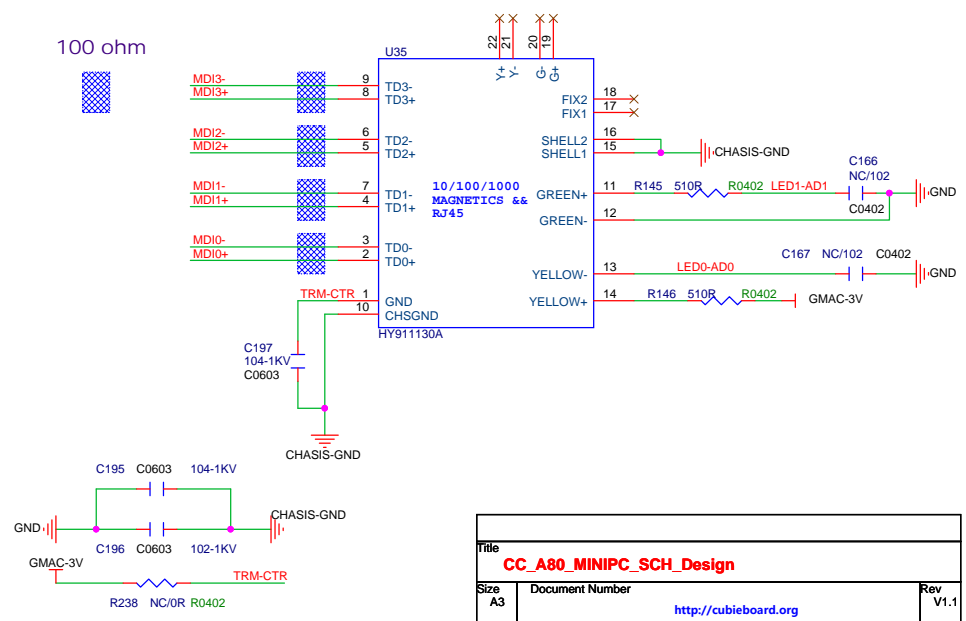
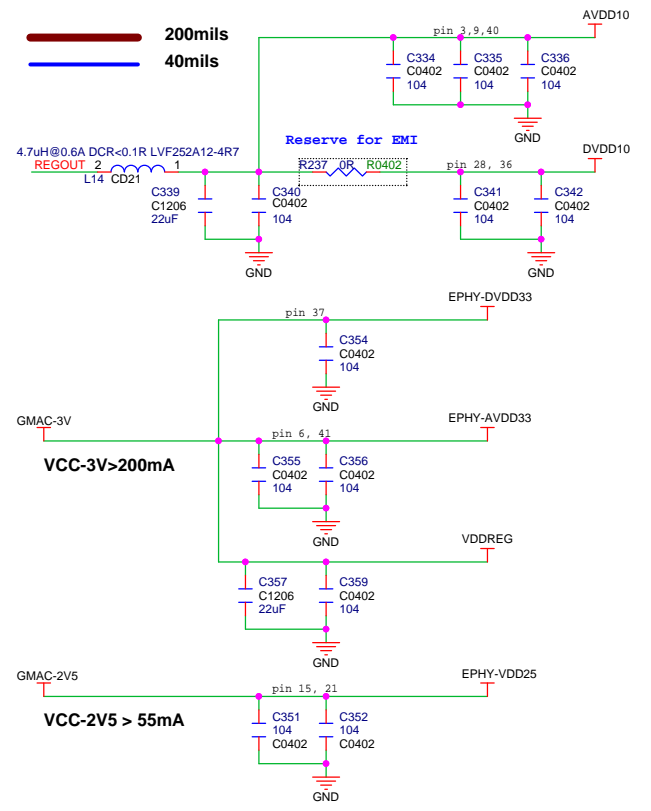
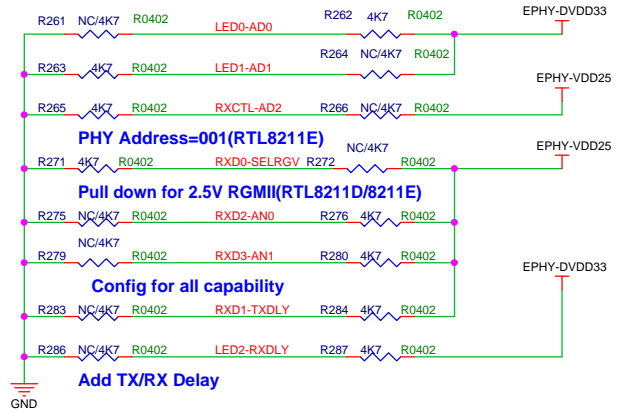
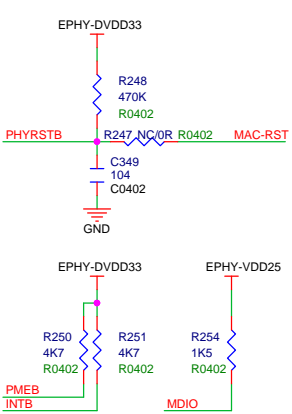
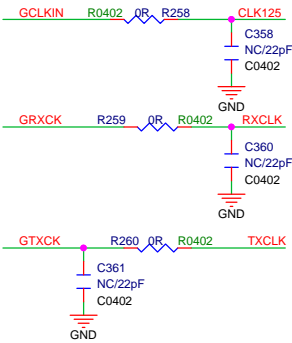


Title		
CC_A80_MINIPC_SCH_Design		
Size	Document Number	Rev
A3		V1.1
Date:	http://cubieboard.org	
	Sheet	9 of 14

# ETHERNET

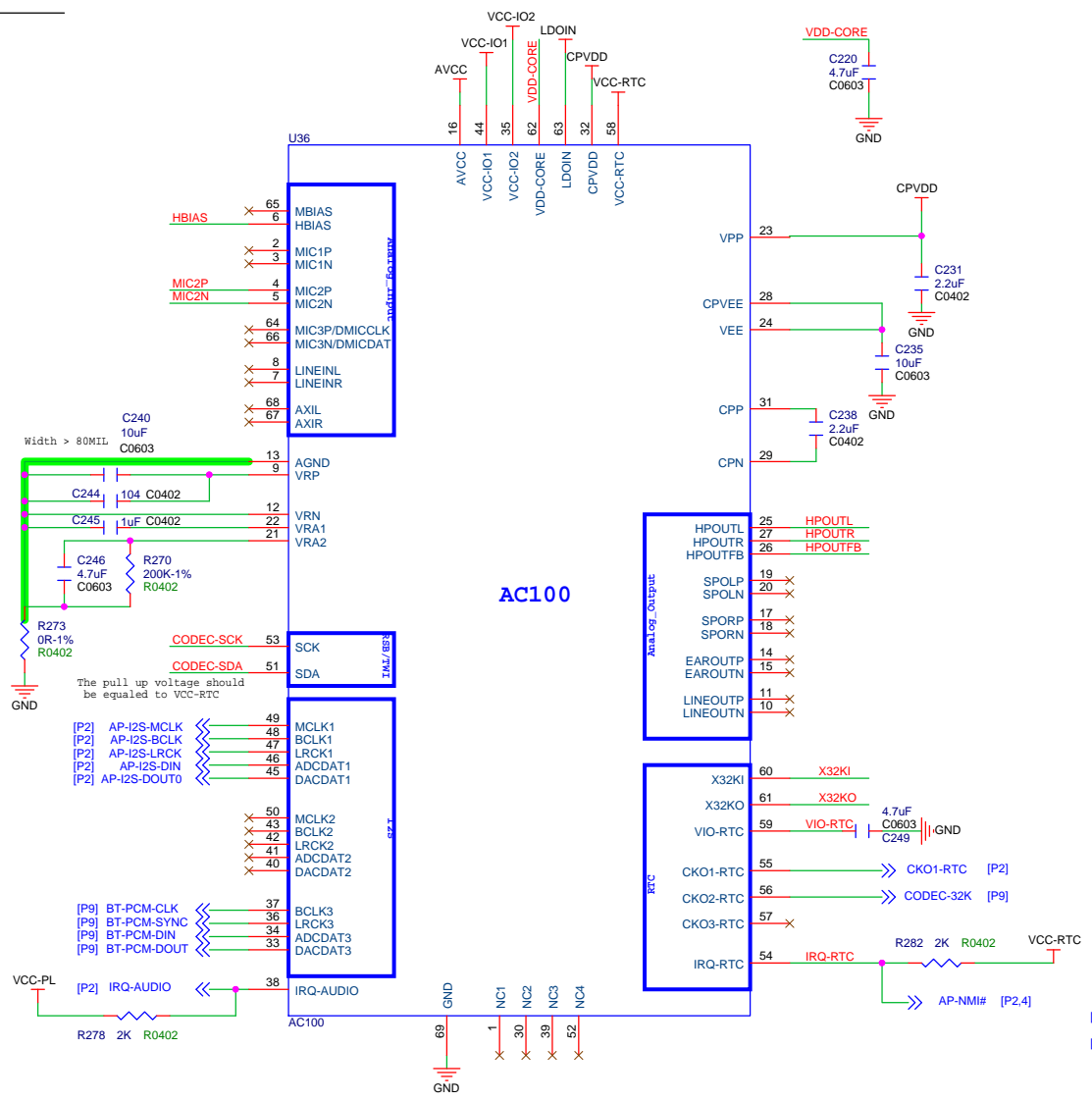


The placement of R258 R259 C358 C360 is close to PHY.  
The placement of R260 C361 is close to AP.

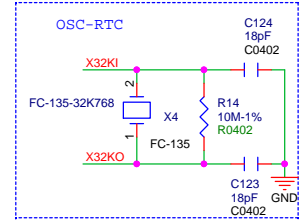
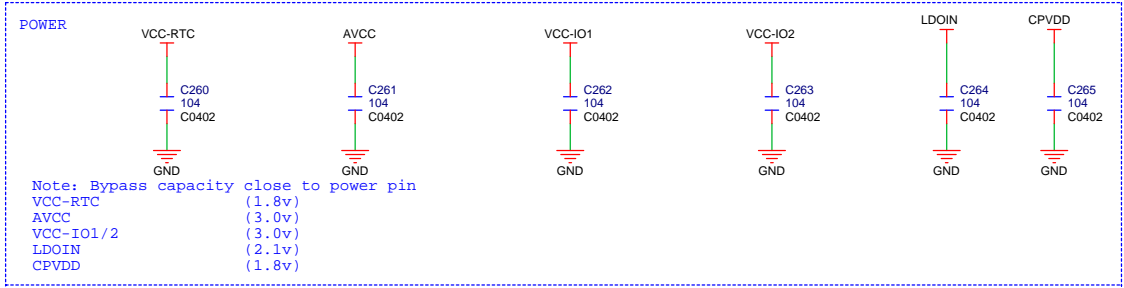
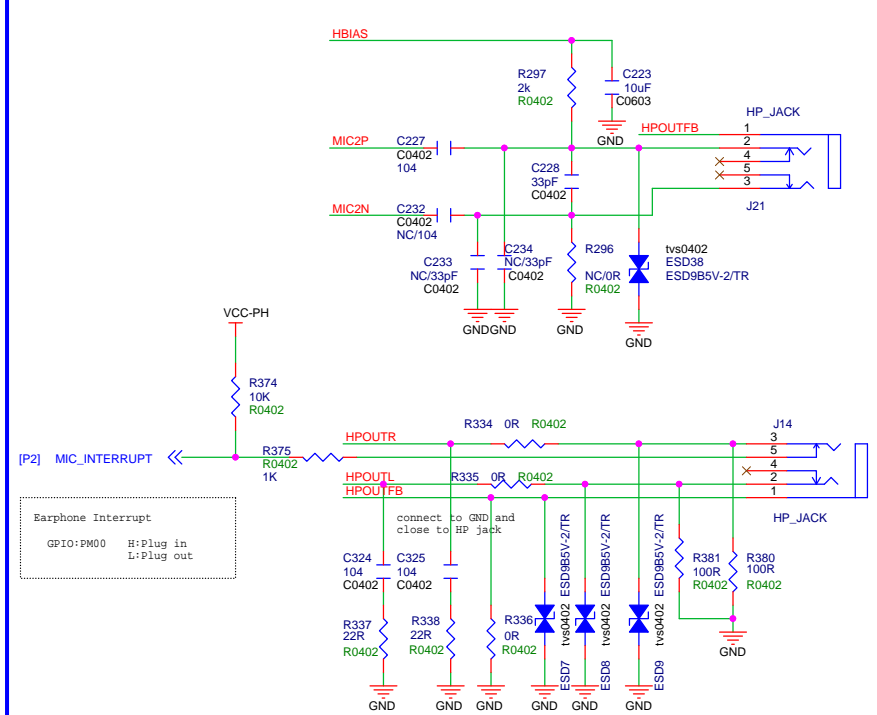


Title		
CC_A80_MINIPC_SCH_Design		
Size	Document Number	Rev
A3		V1.1
Date:	http://cubieboard.org	
	Sheet	10 of 14

# CODEC

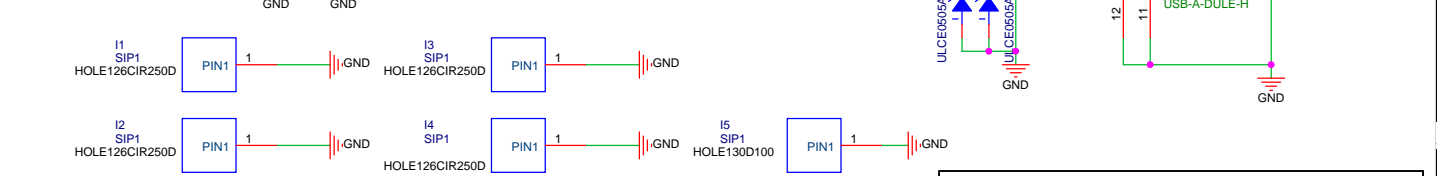
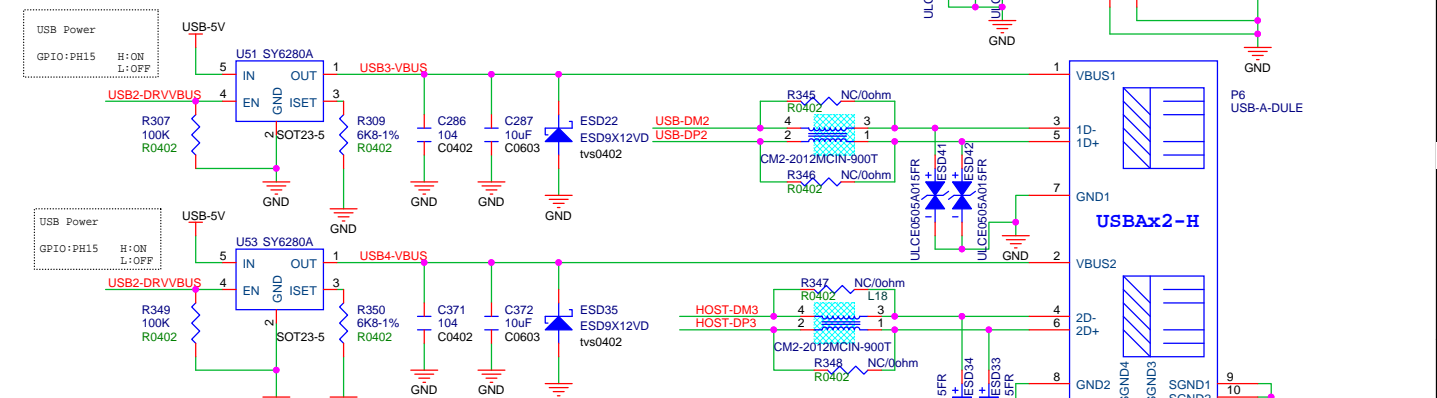
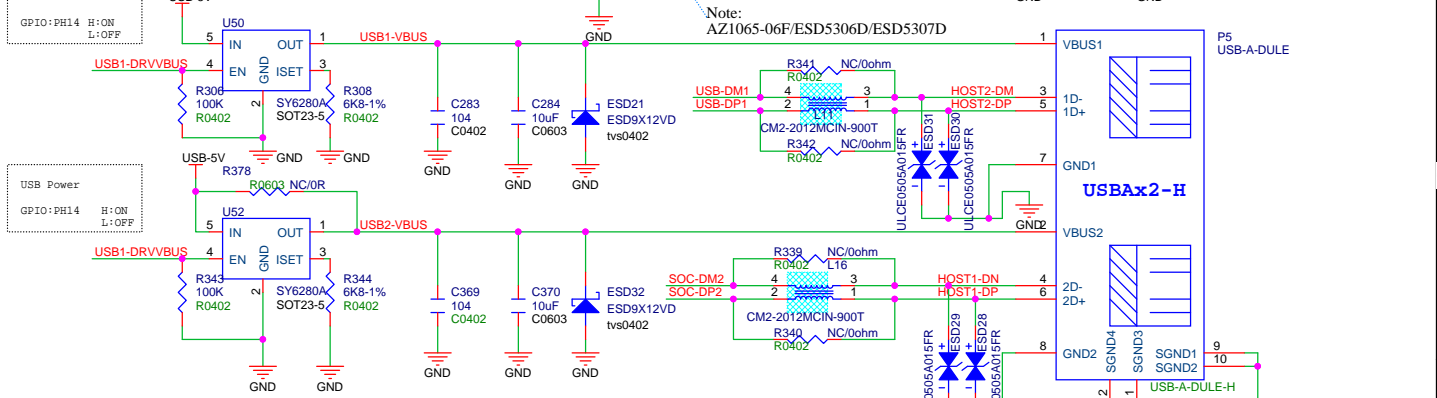
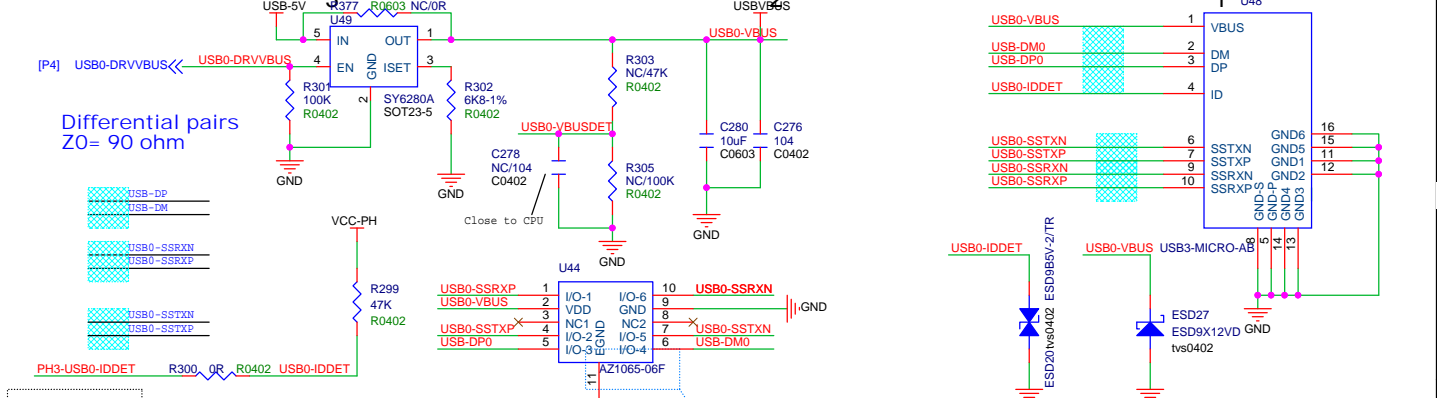
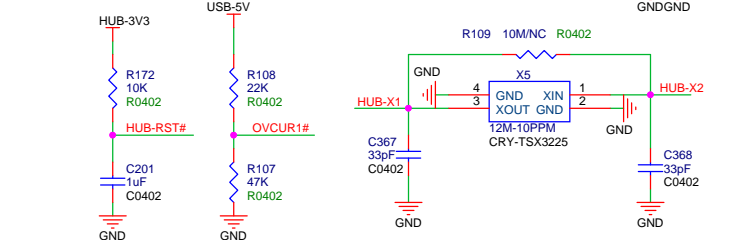
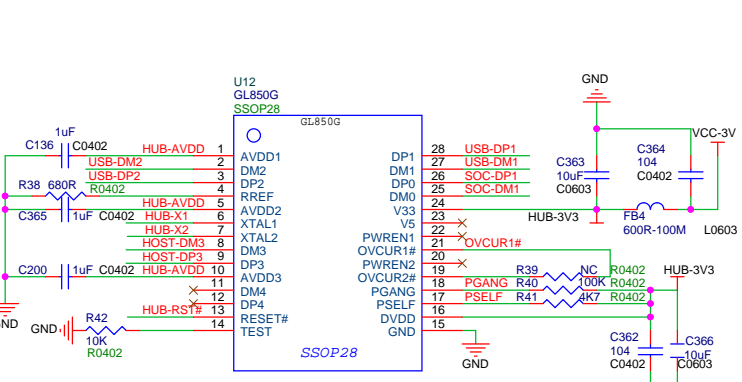
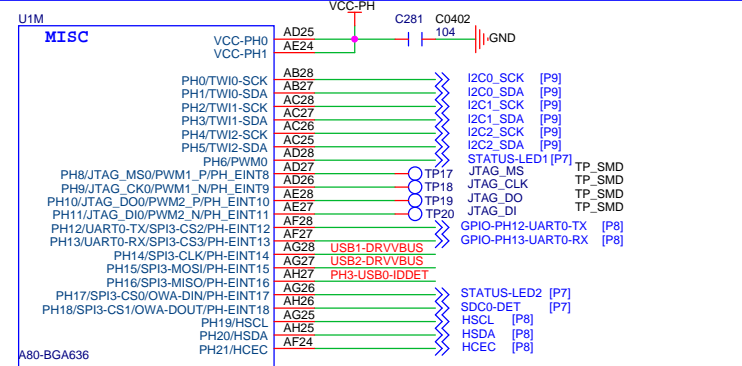
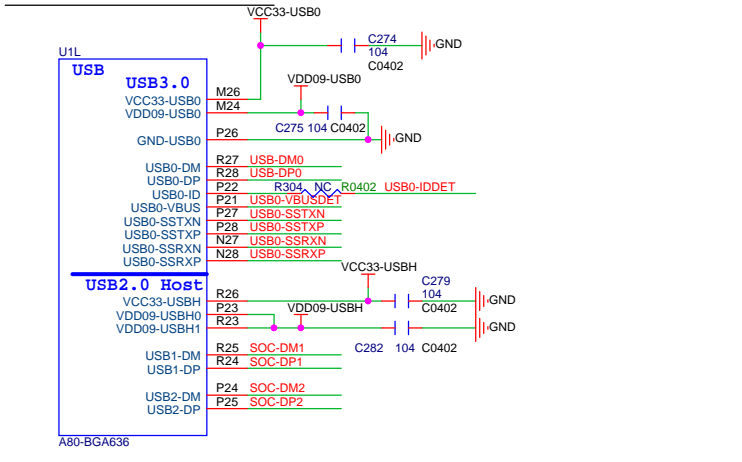


# External MIC IN and Earphone

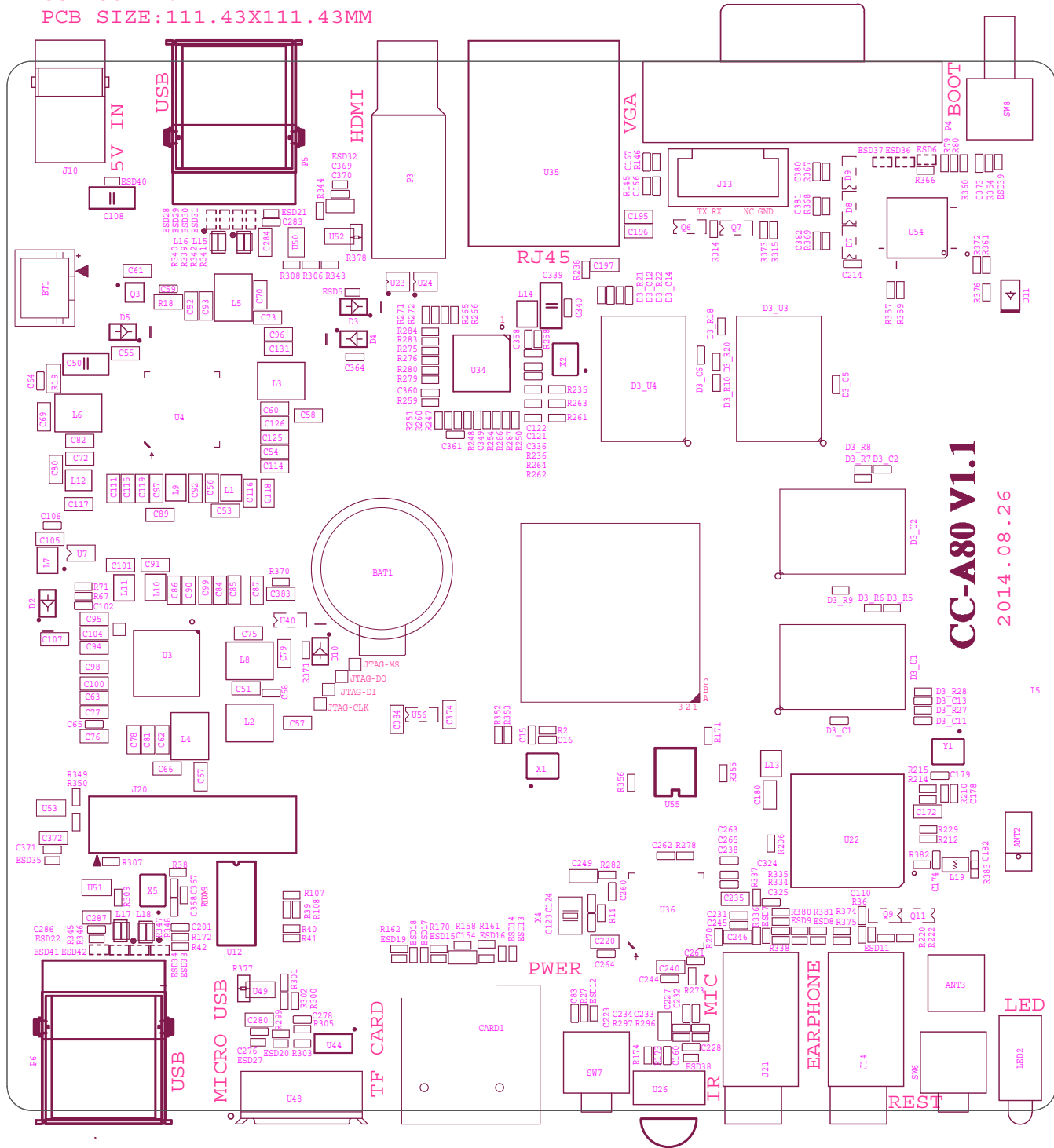


Title <b>CC_A80_MINIPC_SCH_Design</b>		
Size A3	Document Number <a href="http://cubieboard.org">http://cubieboard.org</a>	Rev V1.1
Date:	Sheet	11 of 14

# USB Interface



Title <b>CC_A80_MINIPC_SCH_Design</b>		
Size A3	Document Number <a href="http://cubieboard.org">http://cubieboard.org</a>	Rev V1.1
Date:	Sheet	12 of 14



**CC-A80 V1.1**

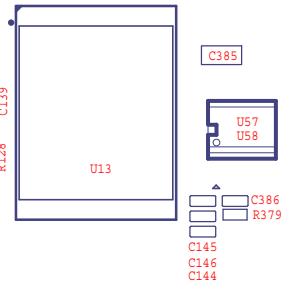
2014.08.26



C376 R365 R364  
R363 R362  
C375  
PB5  
C377  
C378  
C379

R185 R181  
R186 R182  
R184 R183  
R209 R191  
R228 R228  
R201  
R195  
U21  
C387 R213  
R204  
R205 R192  
R187 R190  
R188 R188  
R188  
R230 C177  
C176  
R207  
D3\_C8  
D3\_C7  
D3\_C2  
8\*0\_S1  
D3\_C43  
D3\_C42  
D3\_C15  
D3\_C16  
D3\_C17  
D3\_C37  
D3\_C41  
D3\_C40  
D3\_C56  
D3\_C49  
D3\_C57  
D3\_C60  
D3\_C58  
D3\_C59  
D3\_C50  
D3\_C52  
D3\_R19  
D3\_C54  
D3\_C55  
D3\_R17

C137  
C138  
C139  
C140  
C141  
C142  
C143  
C144  
C145  
C146  
C147  
C148  
C149  
C150  
C151  
C152  
C153  
C154  
C155  
C156  
C157  
C158  
C159  
C160  
C161  
C162  
C163  
C164  
C165  
C166  
C167  
C168  
C169  
C170  
C171  
C172  
C173  
C174  
C175  
C176  
C177  
C178  
C179  
C180  
C181  
C182  
C183  
C184  
C185  
C186  
C187  
C188  
C189  
C190  
C191  
C192  
C193  
C194  
C195  
C196  
C197  
C198  
C199  
C200  
C201  
C202  
C203  
C204  
C205  
C206  
C207  
C208  
C209  
C210  
C211  
C212  
C213  
C214  
C215  
C216  
C217  
C218  
C219  
C220  
C221  
C222  
C223  
C224  
C225  
C226  
C227  
C228  
C229  
C230  
C231  
C232  
C233  
C234  
C235  
C236  
C237  
C238  
C239  
C240  
C241  
C242  
C243  
C244  
C245  
C246  
C247  
C248  
C249  
C250  
C251  
C252  
C253  
C254  
C255  
C256  
C257  
C258  
C259  
C260  
C261  
C262  
C263  
C264  
C265  
C266  
C267  
C268  
C269  
C270  
C271  
C272  
C273  
C274  
C275  
C276  
C277  
C278  
C279  
C280  
C281  
C282  
C283  
C284  
C285  
C286  
C287  
C288  
C289  
C290  
C291  
C292  
C293  
C294  
C295  
C296  
C297  
C298  
C299  
C300  
C301  
C302  
C303  
C304  
C305  
C306  
C307  
C308  
C309  
C310  
C311  
C312  
C313  
C314  
C315  
C316  
C317  
C318  
C319  
C320  
C321  
C322  
C323  
C324  
C325  
C326  
C327  
C328  
C329  
C330  
C331  
C332  
C333  
C334  
C335  
C336  
C337  
C338  
C339  
C340  
C341  
C342  
C343  
C344  
C345  
C346  
C347  
C348  
C349  
C350  
C351  
C352  
C353  
C354  
C355  
C356  
C357  
C358  
C359  
C360  
C361  
C362  
C363  
C364  
C365  
C366  
C367  
C368  
C369  
C370  
C371  
C372  
C373  
C374  
C375  
C376  
C377  
C378  
C379  
C380  
C381  
C382  
C383  
C384  
C385  
C386  
C387  
C388  
C389  
C390  
C391  
C392  
C393  
C394  
C395  
C396  
C397  
C398  
C399  
C400  
C401  
C402  
C403  
C404  
C405  
C406  
C407  
C408  
C409  
C410  
C411  
C412  
C413  
C414  
C415  
C416  
C417  
C418  
C419  
C420  
C421  
C422  
C423  
C424  
C425  
C426  
C427  
C428  
C429  
C430  
C431  
C432  
C433  
C434  
C435  
C436  
C437  
C438  
C439  
C440  
C441  
C442  
C443  
C444  
C445  
C446  
C447  
C448  
C449  
C450  
C451  
C452  
C453  
C454  
C455  
C456  
C457  
C458  
C459  
C460  
C461  
C462  
C463  
C464  
C465  
C466  
C467  
C468  
C469  
C470  
C471  
C472  
C473  
C474  
C475  
C476  
C477  
C478  
C479  
C480  
C481  
C482  
C483  
C484  
C485  
C486  
C487  
C488  
C489  
C490  
C491  
C492  
C493  
C494  
C495  
C496  
C497  
C498  
C499  
C500  
C501  
C502  
C503  
C504  
C505  
C506  
C507  
C508  
C509  
C510  
C511  
C512  
C513  
C514  
C515  
C516  
C517  
C518  
C519  
C520  
C521  
C522  
C523  
C524  
C525  
C526  
C527  
C528  
C529  
C530  
C531  
C532  
C533  
C534  
C535  
C536  
C537  
C538  
C539  
C540  
C541  
C542  
C543  
C544  
C545  
C546  
C547  
C548  
C549  
C550  
C551  
C552  
C553  
C554  
C555  
C556  
C557  
C558  
C559  
C560  
C561  
C562  
C563  
C564  
C565  
C566  
C567  
C568  
C569  
C570  
C571  
C572  
C573  
C574  
C575  
C576  
C577  
C578  
C579  
C580  
C581  
C582  
C583  
C584  
C585  
C586  
C587  
C588  
C589  
C590  
C591  
C592  
C593  
C594  
C595  
C596  
C597  
C598  
C599  
C600  
C601  
C602  
C603  
C604  
C605  
C606  
C607  
C608  
C609  
C610  
C611  
C612  
C613  
C614  
C615  
C616  
C617  
C618  
C619  
C620  
C621  
C622  
C623  
C624  
C625  
C626  
C627  
C628  
C629  
C630  
C631  
C632  
C633  
C634  
C635  
C636  
C637  
C638  
C639  
C640  
C641  
C642  
C643  
C644  
C645  
C646  
C647  
C648  
C649  
C650  
C651  
C652  
C653  
C654  
C655  
C656  
C657  
C658  
C659  
C660  
C661  
C662  
C663  
C664  
C665  
C666  
C667  
C668  
C669  
C670  
C671  
C672  
C673  
C674  
C675  
C676  
C677  
C678  
C679  
C680  
C681  
C682  
C683  
C684  
C685  
C686  
C687  
C688  
C689  
C690  
C691  
C692  
C693  
C694  
C695  
C696  
C697  
C698  
C699  
C700  
C701  
C702  
C703  
C704  
C705  
C706  
C707  
C708  
C709  
C710  
C711  
C712  
C713  
C714  
C715  
C716  
C717  
C718  
C719  
C720  
C721  
C722  
C723  
C724  
C725  
C726  
C727  
C728  
C729  
C730  
C731  
C732  
C733  
C734  
C735  
C736  
C737  
C738  
C739  
C740  
C741  
C742  
C743  
C744  
C745  
C746  
C747  
C748  
C749  
C750  
C751  
C752  
C753  
C754  
C755  
C756  
C757  
C758  
C759  
C760  
C761  
C762  
C763  
C764  
C765  
C766  
C767  
C768  
C769  
C770  
C771  
C772  
C773  
C774  
C775  
C776  
C777  
C778  
C779  
C780  
C781  
C782  
C783  
C784  
C785  
C786  
C787  
C788  
C789  
C790  
C791  
C792  
C793  
C794  
C795  
C796  
C797  
C798  
C799  
C800  
C801  
C802  
C803  
C804  
C805  
C806  
C807  
C808  
C809  
C810  
C811  
C812  
C813  
C814  
C815  
C816  
C817  
C818  
C819  
C820  
C821  
C822  
C823  
C824  
C825  
C826  
C827  
C828  
C829  
C830  
C831  
C832  
C833  
C834  
C835  
C836  
C837  
C838  
C839  
C840  
C841  
C842  
C843  
C844  
C845  
C846  
C847  
C848  
C849  
C850  
C851  
C852  
C853  
C854  
C855  
C856  
C857  
C858  
C859  
C860  
C861  
C862  
C863  
C864  
C865  
C866  
C867  
C868  
C869  
C870  
C871  
C872  
C873  
C874  
C875  
C876  
C877  
C878  
C879  
C880  
C881  
C882  
C883  
C884  
C885  
C886  
C887  
C888  
C889  
C890  
C891  
C892  
C893  
C894  
C895  
C896  
C897  
C898  
C899  
C900  
C901  
C902  
C903  
C904  
C905  
C906  
C907  
C908  
C909  
C910  
C911  
C912  
C913  
C914  
C915  
C916  
C917  
C918  
C919  
C920  
C921  
C922  
C923  
C924  
C925  
C926  
C927  
C928  
C929  
C930  
C931  
C932  
C933  
C934  
C935  
C936  
C937  
C938  
C939  
C940  
C941  
C942  
C943  
C944  
C945  
C946  
C947  
C948  
C949  
C950  
C951  
C952  
C953  
C954  
C955  
C956  
C957  
C958  
C959  
C960  
C961  
C962  
C963  
C964  
C965  
C966  
C967  
C968  
C969  
C970  
C971  
C972  
C973  
C974  
C975  
C976  
C977  
C978  
C979  
C980  
C981  
C982  
C983  
C984  
C985  
C986  
C987  
C988  
C989  
C990  
C991  
C992  
C993  
C994  
C995  
C996  
C997  
C998  
C999  
C1000



C120

C130  
C88  
C103  
R21  
C113  
R29  
R28  
C112  
D6

R199  
ESD1  
R198  
ESD2  
R203  
ESD3  
R197  
ESD4  
R200  
C355  
C356  
C359  
C354  
C342  
R202  
R196  
C351  
C341

R13

R9

R16

C147  
R127  
R128  
C138  
C139

FB4  
U57  
U58  
C363  
C365  
C366  
C136  
C362

C145  
C146  
C144  
C385  
U57  
U58  
C363  
C365  
C366  
C136  
C362  
C386  
R379

