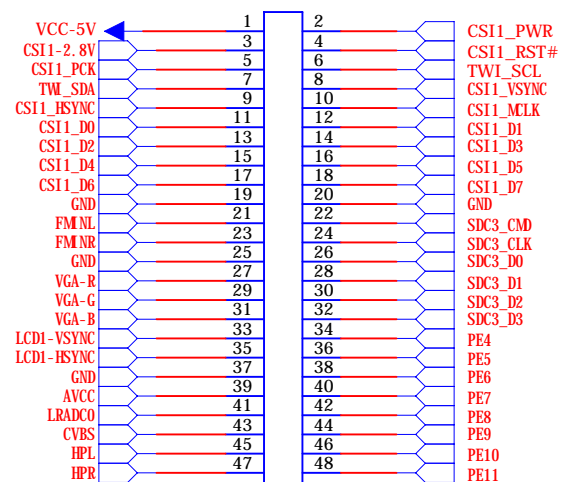
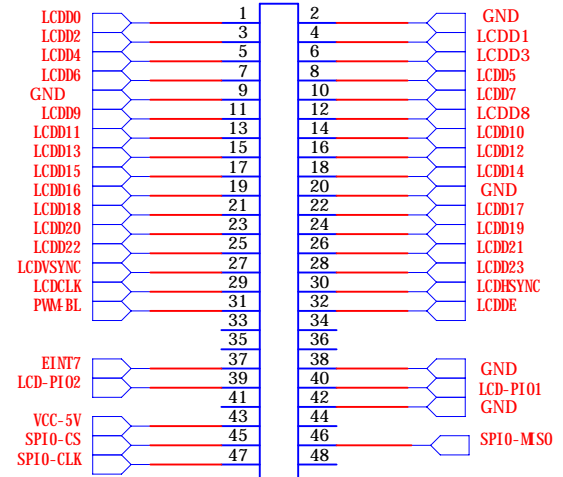
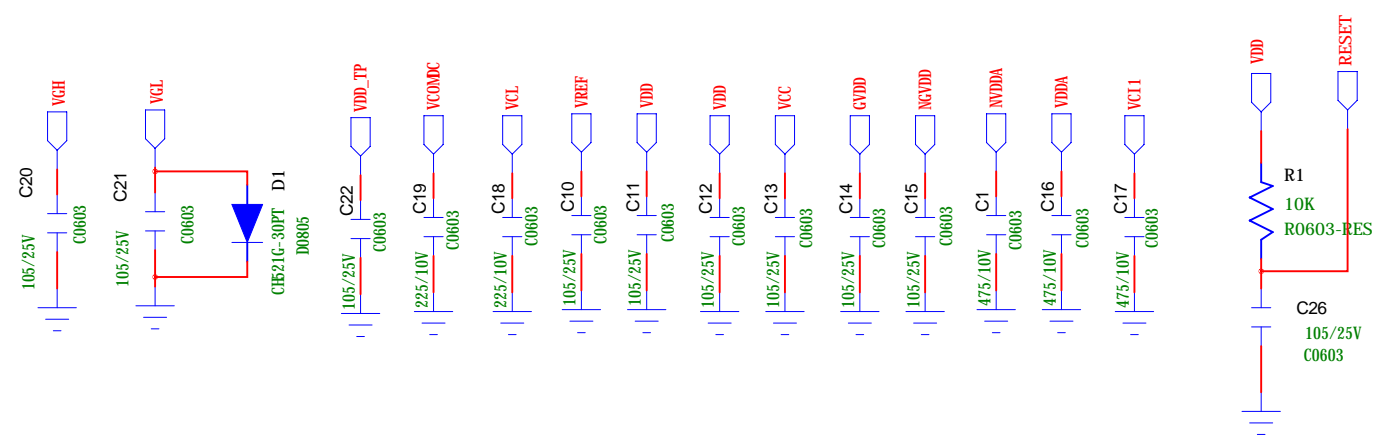


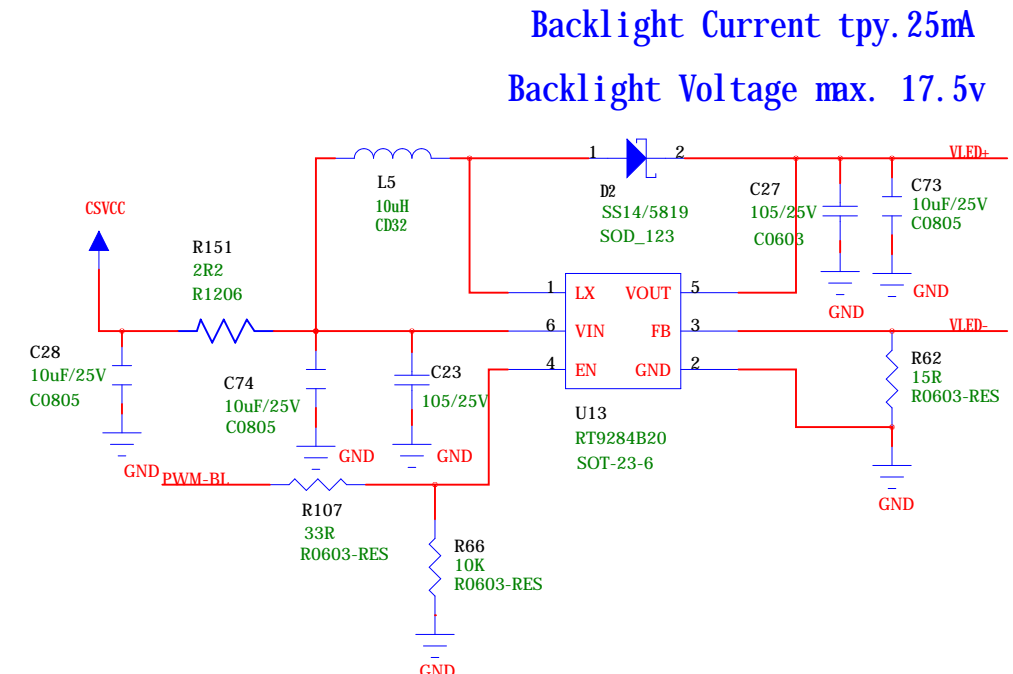
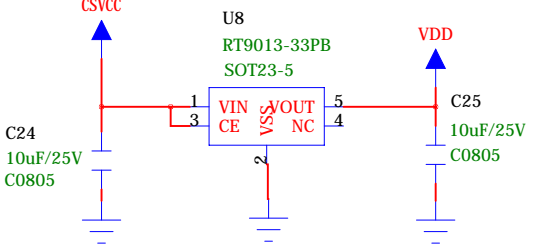
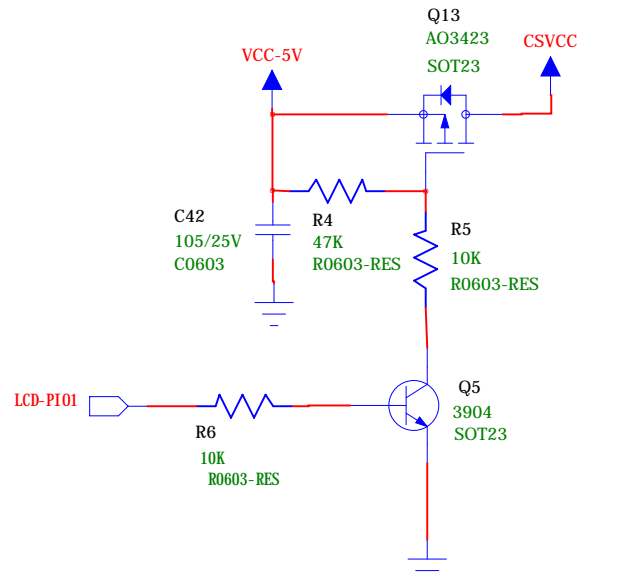
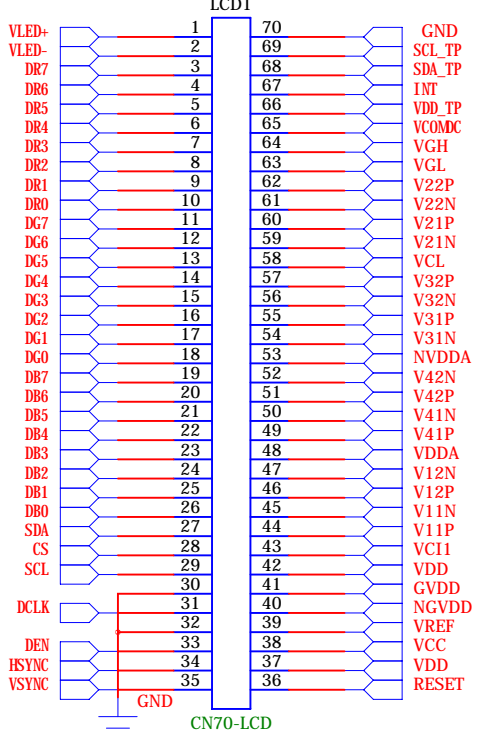
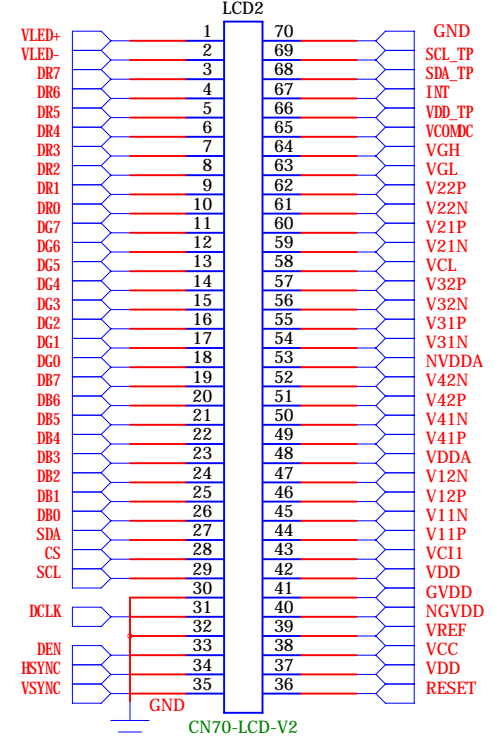
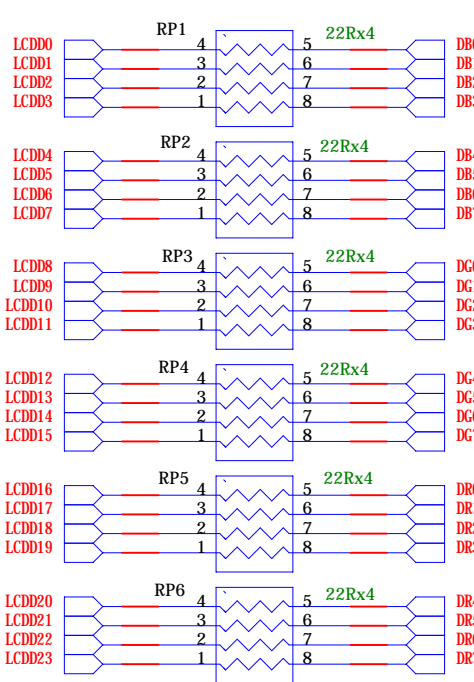
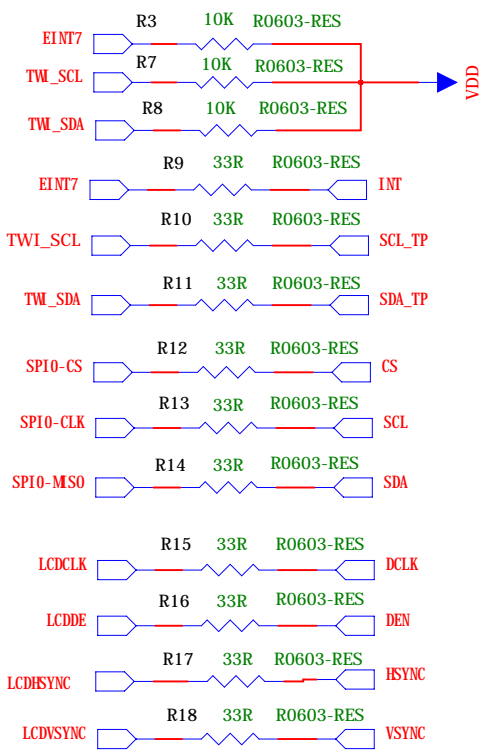
CON2
CB_OUTPORT
CONZ-48-2.0



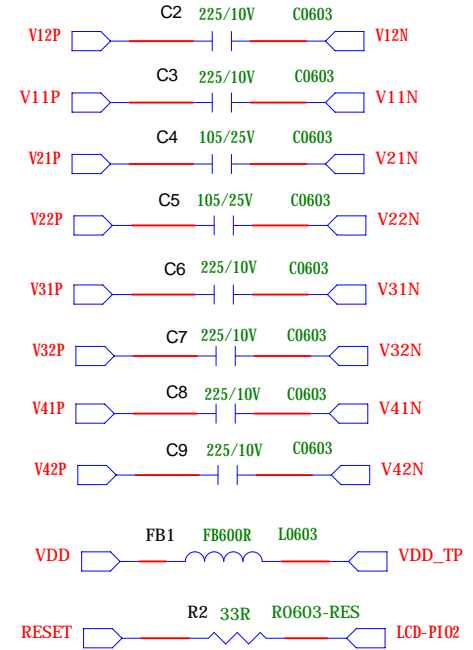
CON3
CS_OUTPORT
CONZ-48-2.0



CON1
CB-LCDPORT
CONZ-48-2.0



Backlight Current tpy. 25mA
Backlight Voltage max. 17.5v



http://ybmaker.org		FILE NAME:			
		FILE NO:			
MODEL:	CubieScreen V1.1			DRN./DATE:	2014/8/2
PART NO:	DRN./DATE:	2014/8/2	REV:	UPDATE:	REV:
PART NAME:	CHK./DATE:		01		03
DRAWG NO:	APP./DATE:		02		04